



INSTALLATION MANUAL WAVE-Box

These are the original
English instructions

This manual also refers to the WITTE Digital WAVE-Box as “WAVE-Box”, “product” or “system”.

For questions, information or ordering user instructions, please contact the manufacturer:

WITTE Velbert GmbH & Co. KG

Höferstraße 3-15

42551 Velbert

Germany

T: 00 800 99 0000 33

contact@witte.digital

www.witte.digital

Installation Manual
WITTE Digital
WAVE-Box

Table of Contents

1 Introduction	5
1.1 Intended use and reasonably foreseeable misuse	6
1.2 Safety symbols used in this manual	6
2 Product Descriptions	7
2.1 General description of the WITTE Digital WAVE-System	7
2.2 Technical data	8
2.3 Product elements	8
2.4 Visual signals	9
2.4.1 Visual signals charging LED (8)	9
2.4.2 Visual signals battery indicator (9)	9
3 Safety Information	10
3.1 Important safety warnings	10
4 Installation	12
4.1. Unpack and check the contents	12

4.2 Installing the WAVE-Box	13
4.3 Affix the WAVE-Box (optional)	16
5 How To Start And Stop Using a Vehicle	18
5.1 Using the WITTE Digital WAVE-App	18
5.1.1 How to install the WITTE Digital WAVE-App	19
5.1.2 How to create an account	19
5.2 How to lock and unlock a vehicle	19
5.2.1 How to perform a safety check	19
5.2.2 How to unlock a vehicle	20
5.2.3 How to lock a vehicle	21
5.3 How to charge the battery	22
5.3.1 How to check the battery level	22
5.3.2 How to charge the WAVE-Box in the vehicle	23
5.3.3 How to charge the WAVE-Box outside the vehicle using the vehicle adapter	24

Table of Contents

5.3.4 How to charge the WAVE-Box outside the vehicle using a micro-USB cable (slow charging)	25
6 How To Use The WITTE Digital WAVE-Web-Portal	27
7 Maintenance	28
8 Troubleshooting	29
9 Storage and Transportation	31
10 Disposal of The Product	32
11 Privacy Statement	33
12 Declaration of Conformity And Compliance	34



Introduction

Congratulations on the purchase of your WITTE Digital WAVE-Box. You have acquired a high-quality product! This manual is part of it. The manual is intended for the installer of the WITTE Digital WAVE-Box. Please familiarize yourself with all the included information before installing or using your product. The product must only be used as described in this manual and for the specified application scenarios.

1.1 Intended use and reasonably foreseeable misuse

The WITTE Digital WAVE-Box is intended to be used as a product to access passenger vehicles, commercial vehicles and transporters. The product is intended to be used together with the WITTE Digital WAVE-App, that needs to be installed on a mobile device. The Box should be used in passenger vehicles, commercial vehicles and transporters only.

The product should not be used in vehicles where the WITTE Digital WAVE-Box cannot be stored in a closed and safe location where the WAVE-Box could be subject to weather influences or theft. The product is not intended to be used for other purposes other than described above.

The WITTE Digital WAVE-Box must only be used with the following original accessories, software and components:

- WITTE Digital WAVE-App
- Wall charger
- Hook-and-loop fastener (2x3 strips)
- Vehicle adapter
- WITTE Digital WAVE-Data (optional)

The product may only be used according to the instructions as described in this manual. All use other than described in this manual is seen as unintended use.

1.2 Safety symbols used in this manual

DANGER!

Danger indicates an imminently hazardous situation which, if not avoided, will result in death or serious injury.

WARNING!

Warning indicates a potentially hazardous situation which, if not avoided, could result in death or serious injury.

CAUTION!

Caution indicates a potentially hazardous situation which, if not avoided, could result in minor or moderate injury.

NOTICE

Notice indicates a situation which, if not avoided, could result in property damage.



2 Product Descriptions

2.1 General description of the WITTE Digital WAVE-System

The WITTE Digital WAVE system comprises the WITTE Digital WAVE-Box, the WITTE Digital WAVE-App and the WITTE Digital WAVE-Portal.

The WAVE-Box will be positioned safely in the vehicle and connected to any 12V socket in the vehicle. The car key will be placed in the car key drawer of the WAVE-Box.

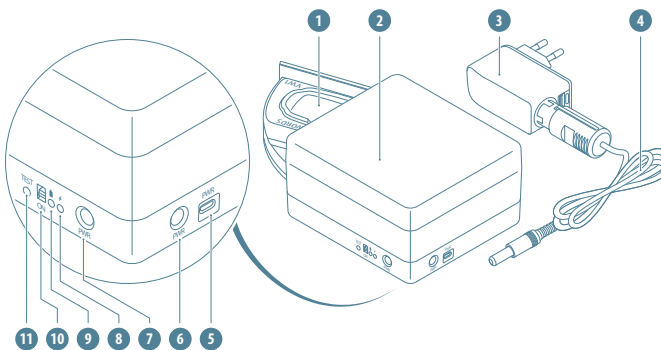
The user needs to install the WITTE Digital WAVE-App and create an account. By means of the WAVE-App, a vehicle can be locked or unlocked: mechanical components in the WAVE-Box push the button on the car key in order to lock or unlock the vehicle.

Access rights can be managed by the Car Company through the WAVE-Portal.

2.2 Technical data




System name	WITTE Digital WAVE
Type	WAVE-Box
Design	2.4
Year	2017
Voltage	12V
Power (standby)	1.2mA (battery)
External power (battery charging)	1.8A max
External power (battery charged)	Approx. 18am
Radio technology	BLE (Bluetooth Low Energy)
Radio frequency	2.4GHz ISMBand
Operating temperature range	-20°C to +60°C
Max. relative humidity	Max 50% at +60°C
Protection class	IP3 I
Weight	0.91kg
Dimensions	148 x 135 x 79.5 mm

2.3 Product elements







1. Car key drawer
2. WAVE-Box
3. Wall charger (optional)
4. Vehicle adapter
5. Micro-USB port (5V)
6. Adapter port 1 (12V)
7. Adapter port 2 (12V)
8. Charging LED
9. Battery indicator
10. On/off switch
11. TEST button

2.4 Visual signals

Charging LED	Meaning
	Battery is charging
	Battery is slow charging
	Battery is not charging

2.4.1 Visual signals charging LED

Battery indicator	Battery level (%)	Stand by	Normal operation	Recommended action
	60 ÷ 100 %	> 3 weeks	1 ÷ 2 weeks	No action needed
	30 ÷ 60 %	1 ÷ 2 weeks	3 ÷ 10 days	Watch the battery's state, good to go for charging
	1 ÷ 30 %	< 1 week	max. 2 days	Go for charging
	< 1 %	No operation is possible	No operation is possible	Charging needed! Even for only storage of the WAVE-Box (protection of batteries)

2.4.2 Visual signals battery indicator



3 Safety Information

3.1 Important safety warnings

WARNING!

Please take the time to read the general safety instructions. Follow all instructions.

This will avoid fire, explosions, electric shocks or other hazards that may result in damage to property and/or severe or fatal injuries.

Please read all safety information and instructions. The manufacturer is not liable for cases of material damage or personal injury caused by incorrect handling or non-compliance with the safety instructions. In such cases, the warranty will be voided.

Keep all safety information and instructions for future reference and pass them on to subsequent users of the system.

The system is intended for use in passenger vehicles, commercial vehicles and transporters.

This system is not intended for use by persons (including children) with restricted physical, sensory or intellectual capability or lack of experience and/or knowledge, unless they are supervised by a person who is responsible for their safety or provides them with instructions on how to use the system. Children should be supervised in order to ensure that they do not play with the system.

Use the system within the specified performance limits.

Do not expose the system to fire, explosions or other hazards.

Only a qualified person may carry out the installation and the initial activation. All local regulations must be followed.

Always protect the WAVE-Box from direct sunlight and never place the WAVE-Box in direct light.

Always make sure the WAVE-Box is positioned safely in the vehicle. Make sure that the WAVE-Box does not cause any risks to the drivers or passengers. Without sufficient fixing the WAVE-Box can cause hazards for the vehicle driver or passengers in case of a full brake application (i.e. head injuries).

To avoid overheating, do not cover the device, do not use near heat sources or in direct sunlight and only at ambient temperatures of between -20°C and +60°C.

Be vigilant at all times, and always be careful with what you are doing. Do not use electrical equipment if you are lacking in concentration or awareness, or are under the influence of drugs, alcohol or medication. Even a moment of inattentiveness can lead to serious accidents and injuries when using electrical equipment.

Be careful when closing the drawer of the WAVE-Box. Risk of crushing fingers!

Never touch the WAVE-Box or the components with wet hands.

The system must be stored in a dry place between -20°C and +60°C.

Do not attempt to open, modify or repair the WAVE-Box. Do not drop, puncture, break or expose to high pressure. Do not attempt to replace the batteries. Beware, the risk of explosion when replacing an incorrect type of battery.

Do not attempt to remove the devices from the vehicle in which they are originally installed for installation in another vehicle. Not all vehicles share compatibility, and doing so may result in unexpected interactions with your vehicle, including sudden loss of power or shutdown of the vehicle's engine while in operation or cause your vehicle to operate poorly or erratically and cause serious injury and/or vehicle damage.

Do not attempt to install, re-configure or remove the WAVE-Data from a vehicle while the vehicle is in motion or otherwise in operation. All installation, configuration or removal must be done only in stationary vehicles which are securely parked. Attempting to service devices while the vehicle is in motion could result in malfunctions or accidents, leading to death or serious personal injury.

Alterations to the products and technical modifications are not permitted.

NOTICE!

This product does not contain any user-serviceable parts. Configuration, servicing, and repairs must only be made by an authorized reseller or installer.

Do not attempt to replace the batteries. Beware, the risk of explosion when replacing an incorrect type of battery. Handle the used batteries according to the manufacturer's instructions.



4 Installation

WARNING!

This chapter is for the installer of the product only.

Only a qualified person may carry out the installation and the initial activation.

All local regulations must be followed.

Read all safety information in the chapter Safety Information before installing the product.

4.1 Using the WITTE Digital WAVE-App

Make sure the packaging contains the following items:

- Vehicle adapter
- WAVE-Box
- Hook-and-loop fastener (2x3 strips)
- Quick Start Guide

Options:

- Wall charger 110-230V AC/12V,5V DC
- WITTE Digital WAVE-Data

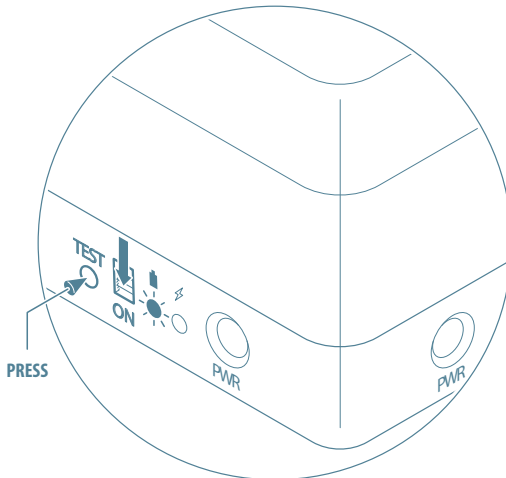
4.2 Installing the WAVE-Box

WARNING!

Check the product for any heavy damage before installation. If there is any visible damage, a strong odor, or excessive overheating of components, unplug all the connections immediately and stop using the system. As the WAVE-Box is a rental product, it could contain scratches or other small signs of use. This is normal. The WAVE-Box should be installed in passenger vehicles, commercial vehicles or transporters only.

To install and test the correct functioning of the WAVE-Box:

1. Put the on/off switch 10 to the “ON” position. Press the TEST button 11.
The battery indicator 9 should light green.



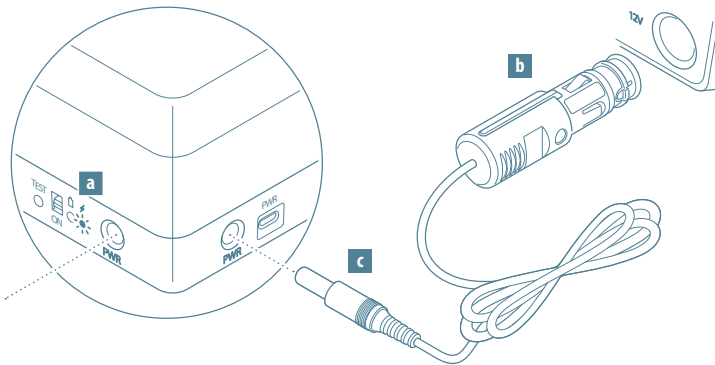
2. Make sure you have installed the WAVE-App on your mobile device (See How to install the WAVE-App) and that you have created an account (See How to create an account).
3. Make sure that you have access right to lock/unlock the car.
4. Unlock the vehicle with the car key.

- Place the WAVE-Box safely in the vehicle and at an easily accessible location for passengers (for example in the trunk, glove department or feet area) where the WAVE-Box does not cause any risks to the driver or passengers.

NOTICE!

Do not install the WAVE-Box in a location with direct sunlight or where the WAVE-Box is in direct sight.

- If you want you can affix the WAVE-Box to your vehicle (see How to affix the WAVE-Box with the Velcro and fleece).
- Test the correct functioning of the WAVE-Box:
 - Make sure that the on/off switch 10 is on the "ON" position.
 - Put the vehicle adapter 4 in any available 12V port in your vehicle.
 - Connect the other end of the vehicle adapter 4 to one of the adapter ports 6 7 on the WAVE-Box. The charging LED 8 should light green.



NOTICE:

Dependent on the vehicle it might be necessary to start the ignition of the vehicle.

- d. Open the car key drawer **1** of the WAVE-Box **2**.
- e. Place the car key in the key bed of the car key drawer **1**.

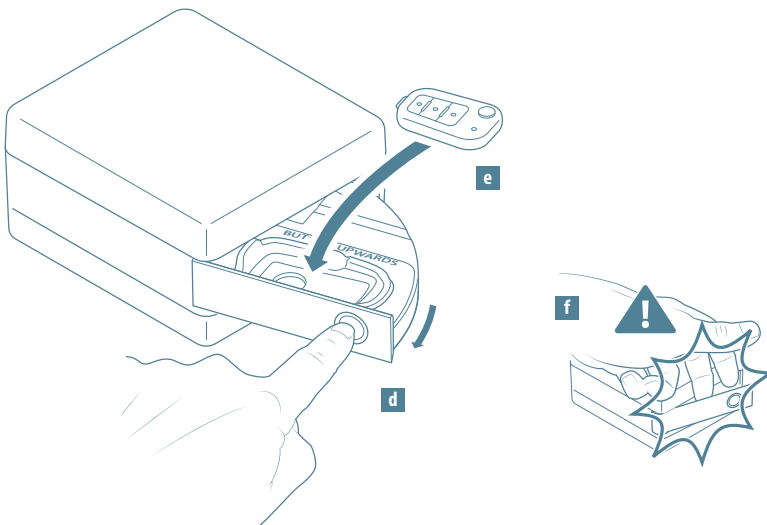
NOTICE!

The key bed in the car key drawer is designed to match the intended key-fob only. Only place the original and intended key-fob in the car key drawer and make sure to place it in the correct position. Do not place any remakes of the car-fob in the car key drawer to prevent the risk of malfunctioning or jamming of the key.

- f. Close the car key drawer **1**.

CAUTION!

Be careful when closing the drawer of the WAVE-Box. Risk of crushing fingers!



- g. Use the WAVE-App to test lock and unlock the vehicle.
- 8 Lock the car with the WAVE-App and make sure that the vehicle is properly locked. The WAVE-Box is now ready to use.

4.3 Affix the WAVE-Box (optional)

The WAVE-Box can be affixed in the car with the hook-and-loop fasteners, to protect the WAVE-Box from moving.

NOTICE!

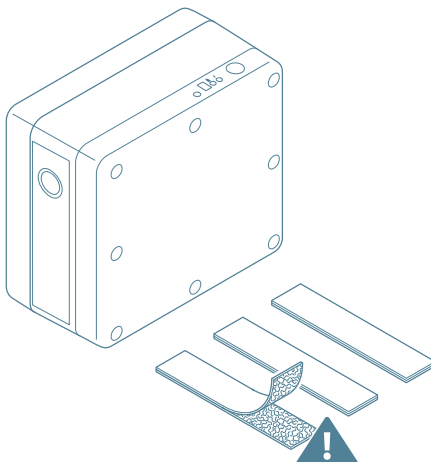
Make sure to place the hook-and-loop strips at room temperature. Make sure that the surface is clean and dry.

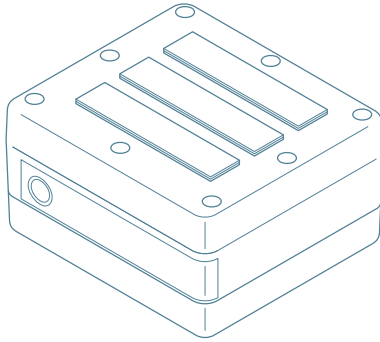
To affix the WAVE-Box:

1. Clean the surface of the WAVE-Box with a soft, clean, lint-free cloth dampened with a mild detergent solution or water.
2. Make sure the hook-and-loop strips are attached to each other.
3. Remove the liners from the hook strips.
4. Place the hook strips at an equal distance on the bottom of the WAVE-Box.

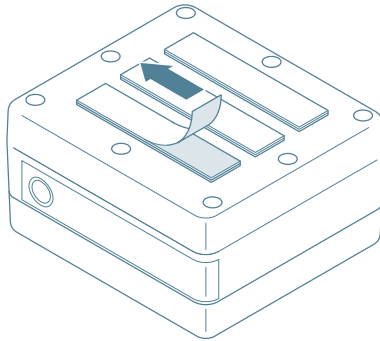
NOTICE!

Make sure to place the hook-and-loop strips at room temperature. Make sure that the surface is clean and dry.





5. Remove the liners from the loop strips.



6. Place the WAVE-Box on the surface of the car where you want to affix the WAVE-Box (e.g. carpet, fleece or floor). Press well to make sure the strips stick to the surface

NOTICE!

Make sure to place the hook-and-loop strips at room temperature. Make sure that the surface is clean and dry.



5 How to Start And Stop Using a Vehicle

WARNING!

Read all safety information in the chapter Safety Information before using the product. Check the product for any damage before use. If there is any visible damage, a strong odor, or excessive overheating of components, unplug all the connections immediately and stop using the system. In order to use the WITTE Digital WAVE system, you should be a registered user at a participating car company.

5.1 Using the WITTE Digital WAVE-App

NOTICE!

More information on how to use the WITTE Digital WAVE-App is available on www.witte.digital

5.1.1 How to install the WITTE Digital WAVE-App

To install the WITTE Digital WAVE-App:

1. Download and install the WITTE Digital WAVE-App from the App Store or Google Play Store.
 2. Open the WITTE Digital WAVE-App.
 3. Follow the instructions in the WITTE Digital WAVE-App on how to create an account (see How to create an account).
-

5.1.2 How to create an account

To create an account:

1. Open the WITTE Digital WAVE-App.
2. Tap on create new account.
3. Follow the instructions and complete the registration process.
4. Check your email. You will receive a confirmation email.

NOTICE!

If you still haven't received an email after some time, please check your spam folder and junk mail.

5. Tap on the link in the email to confirm the registration.
 6. Log in to the WAVE-App.
-

5.2 How to lock and unlock a vehicle

WARNING!

Always perform a safety check before you start using the vehicle.

5.2.1 How to perform a safety check

To perform a safety check:

1. Make sure that the WAVE-Box has been placed safely in the vehicle. The WAVE-Box has been placed safely when it is at an easily accessible location (for example in the trunk, feet area or glove department) where the WAVE-Box does not cause any risks to the driver(s) or passenger(s).
 2. Make sure that the WAVE-Box is not on a location in direct sunlight or where the WAVE-Box is in direct sight.
-

5.2.2 How to unlock a vehicle

To unlock a vehicle:

1. Make sure you have downloaded and installed the WITTE Digital WAVE-App (see How to install the WITTE Digital WAVE-App).
2. Make sure you are a registered user and that you have received access rights by verifying that available cars are visible through the WITTE Digital WAVE-App.
3. Make sure you have created an account (see How to create an account)
4. Make sure to be within a distance of 0-15 meters of the vehicle.

NOTICE!

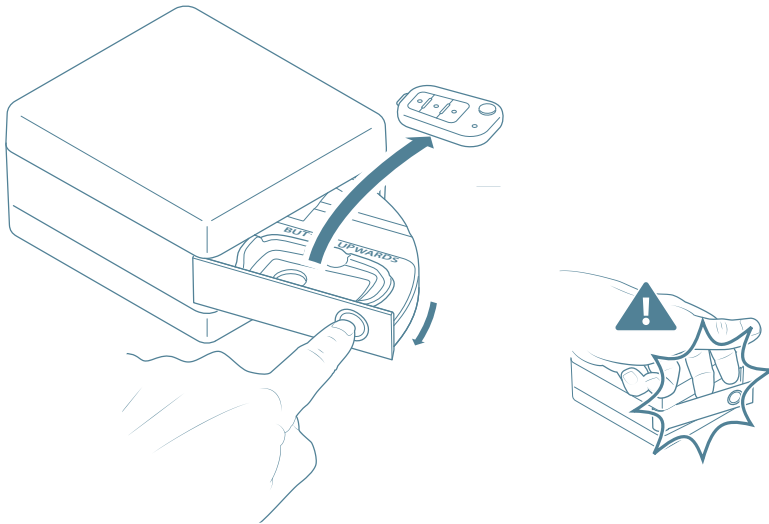
The distance within which the WAVE-Box can be controlled is strongly dependent on factors like the shielding of the car, type of smartphone or bluetooth traffic.

5. Make sure you have enabled bluetooth on your mobile device.
6. Open the WITTE Digital WAVE-App.
7. Tap the lock/unlock button to unlock the vehicle. The WAVE-Box will unlock the vehicle and will release the drawer so it can be opened.
8. Now you can access the vehicle.
9. Locate the WAVE-Box in the vehicle.
10. Open the car key drawer **1** of the WAVE-Box.
11. Take out the key. Close the car key drawer **1**.

CAUTION!

Be careful when closing the drawer of the WAVE-Box. Risk of crushing fingers!

12. Make sure that the WAVE-Box **2** is connected to any 12V socket in the vehicle to enable charging while driving.
13. You are ready to use the vehicle.



5.2.3 How to lock a vehicle

To lock a vehicle:

1. Make sure you have stopped the engine of the vehicle.
2. Open the car key drawer ① of the WAVE-Box.
3. Position the vehicle key in the car key drawer ①.

NOTICE!

The key bed in the car key drawer is designed to match the intended key-fob only. Only place the original and intended key-fob in the car key drawer and make sure to place it in the correct position. Do not place any remakes of the car-fob in the car key drawer to prevent the risk of malfunctioning or jamming of the key.

4. Close the car key drawer ①.

CAUTION!

Be careful when closing the drawer of the WAVE-Box. Risk of crushing fingers!

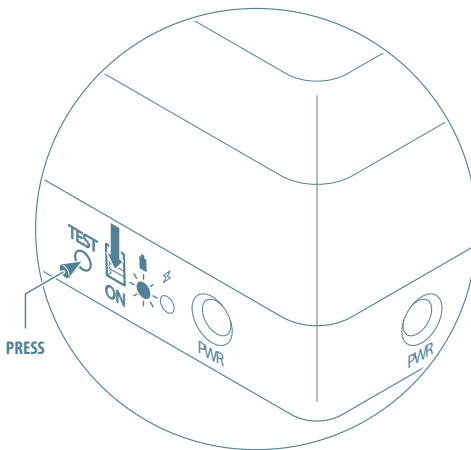
5. Make sure that the WAVE-Box ② is connected to any 12V socket in the vehicle.
6. Make sure that the on/off switch ⑩ is in the “ON” position.
7. Get out of the vehicle.
8. Close all doors.
9. Open the WITTE Digital WAVE-App.
10. Tap lock/unlock button to lock both the vehicle and the car key drawer of the WAVE-Box.
11. Make sure that the vehicle is properly locked.





5.3 How to charge the battery

5.3.1 How to check the battery level

To check the battery level:

1. Make sure on/off switch 10 is in the "ON" position.
2. Push the TEST button 11. The battery indicator 9 lights up.



Battery indicator	Battery level (%)	Stand by	Normal operation	Recommended action
	60 ÷ 100 %	> 3 weeks	1 ÷ 2 weeks	No action needed
	30 ÷ 60 %	1 ÷ 2 weeks	3 ÷ 10 days	Watch the battery's state, good to go for charging
	1 ÷ 30 %	< 1 week	max. 2 days	Go for charging
	< 1 %	No operation is possible	No operation is possible	Charging needed! Even for only storage of the WAVE-Box (protection of batteries)

5.3.2 How to charge the WAVE-Box in the vehicle

CAUTION!

Use only the supplied adapter with the product. Other adapters may damage the product.
Do not use the supplied adapter with other devices.

Use the vehicle adapter in a suitable and easily accessible 12 V socket. Make sure the vehicle adapter can be disconnected from the 12 V socket at all times.

Make sure that the 12V adapter is not exposed to risk of damaging (high forces, risk of cutting, exposed places or abnormal wear) which can lead to fire, explosions, electric shocks or other hazards that may result in damage to property or vehicle and/or severe or fatal injuries.

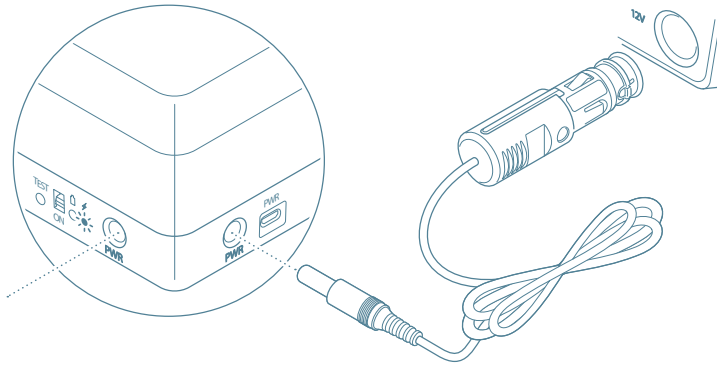
To charge the **WAVE-Box** in the vehicle:

1. Put the vehicle adapter ④ in any 12V socket in your vehicle.
2. Connect the other end of the vehicle adapter ④ to one of the adapter ports ⑥ ⑦ on the WAVE-Box. The charging LED ⑧ should light green during the charging process.

NOTICE:

dependent on the vehicle it might be necessary to start the ignition of vehicle.

3. After approx 2 hours the battery is fully charged.



5.3.3 How to charge the WAVE-Box outside the vehicle using the vehicle adapter

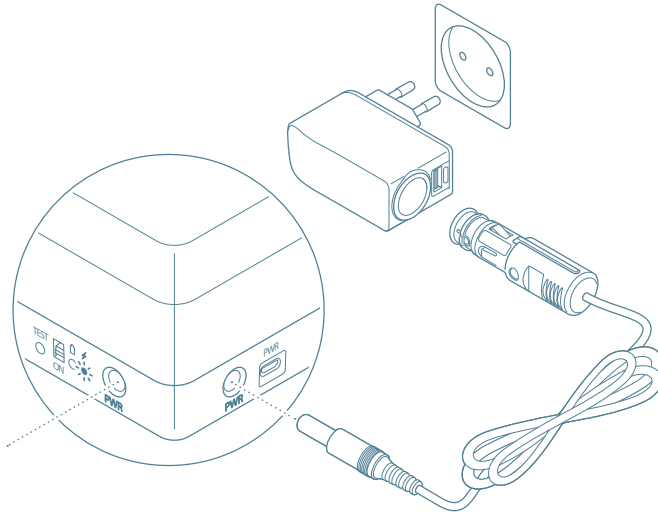
CAUTION!

Use only the supplied adapters with the product. Other adapters may damage the product. Do not use the supplied adapters with other devices.

Use the wall charger in a suitable properly installed and easily accessible mains power socket. Make sure the adapter can be disconnected from the mains at all times.

To charge the WAVE-Box outside the vehicle with the vehicle adapter:

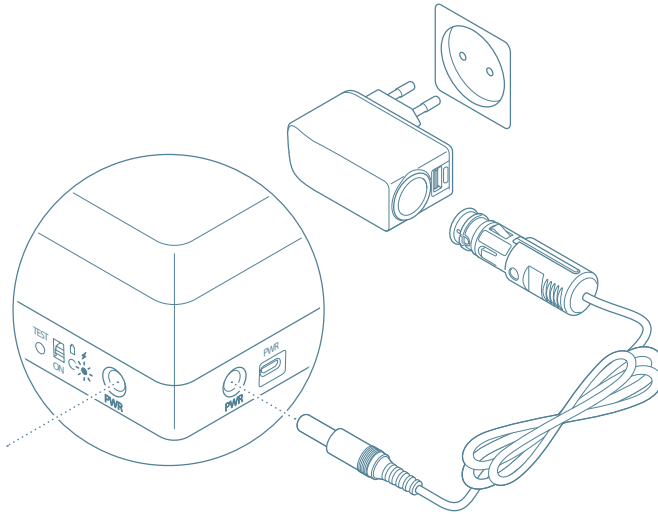
1. Connect the vehicle adapter ④ to the wall charger ③.
2. Put the wall charger ③ in a suitable properly installed and easily accessible mains power socket.
3. Connect the other end of the vehicle adapter ④ to one of the adapter ports ⑥ ⑦ on the WAVE-Box. The charging LED ⑧ should light up green during the charging process.
4. After approx 2 hours the battery should be fully charged. Remove the vehicle adapter ④ and wall charger ③ from the mains power socket. Disconnect the vehicle adapter ④ from the adapter port ⑥ ⑦.



5.3.4 How to charge the WAVE-Box outside the vehicle using a micro-USB cable (slow charging)

To charge the WAVE-Box outside the vehicle with a micro-USB cable:

1. Connect a micro-USB <-> USB cable to the micro-USB port **5** of the WAVE-Box.
2. Connect the other end of the micro-USB<-> USB cable to a computer. The charging LED **8** should light red during the slow-charging process.



3. After approx 3 hours the charging process is electronically stopped (security protection). To fully charge batteries you may need to repeat the charging process several times.
4. Remove the micro-USB <-> USB cable.



6 How To Use The WITTE Digital WAVE-Web-Portal

CAUTION!

More information on how to use the WITTE Digital WAVE-Portal is available on www.witte.digital



7 Maintenance

CAUTION!

Do not use alcohols (e.g. spirits) or chemical cleansers and solvents as these can damage the plastic components.

Always use a soft, clean, lint-free cloth. Clean the box using a cloth dampened with a mild detergent solution or water.

Task	Frequency	Car Company	Driver
Clean the WAVE-Box	After the vehicle has been returned	x	
Check the battery level of the WAVE-Box	Before using the vehicle		x
Check the battery level of the WAVE-Box	After the vehicle has been returned	x	



8 Troubleshooting

NOTICE!

In case of any errors or malfunctioning of the system, contact:

WITTE Velbert GmbH & Co. KG
Höferstraße 3-15
42551 Velbert
Germany

T 00 800 99 0000 33
contact@witte.digital

www.witte.digital

Problem	Cause	Solution
The vehicle cannot be opened/closed	No bluetooth connectivity	Check if Bluetooth at your smartphone is switched on. Switch bluetooth on and try again
		Disable bluetooth at your smartphone, enable bluetooth and try again Switch your smartphone off and restart your smartphone. Make sure bluetooth is enabled and try again
	Vehicle is not visible in the WAVE-App	Contact the car company to get the right permission for the requested car Make sure you have GSM connectivity to receive the permission
		No valid permission
	Try to open the wrong car	Make sure you try to open the right car (check license plate) or contact the car company
	Car key of the vehicle may not be working or battery of car key might be empty	Contact the car company
	Battery of WAVE-Box not sufficiently charged	Check battery status and charge WAVE-Box or contact car company
	Unknown issue	Contact the car company
The car key drawer cannot be closed	Car key not positioned correctly	Check if the car key is positioned correctly and try again
	Wrong object in the key bed	Check if a wrong object is in the key bed, remove the object and place the car key correctly in the key bed
The car key drawer cannot be opened	Car key is in the wrong position and is blocking the drawer	Carefully shake the box to move the car key in the right position and try again
The charging process is interrupted	In exceptional cases and only with certain types of cars, the charging process will be interrupted in case the temperature of WAVE-Box increases	Disconnect the vehicle adapter from the adapter port. Connect the vehicle adapter with the adapter port again.



9 Storage And Transportation

NOTICE!

The WAVE-Box must always be transported in the packaging it was delivered in to ensure safe transport.

To store the WITTE Digital WAVE-Box

1. Make sure the WITTE Digital WAVE-Box is in the original packaging.
2. Make sure the on/off switch ⑩ is in the “OFF” position.



10 Disposal of The Product



The symbol on the product, the accessories or packaging indicates that this device must not be treated as unsorted municipal waste, but must be collected separately! Dispose of the device via a collection point for the recycling of waste of electrical and electronic equipment if you live within the EU and in other European countries that operate separate collection systems for waste of electrical and electronic equipment.

By disposing of the device in the proper manner, you help to avoid possible hazards to the environment and public health that could otherwise be caused by improper treatment of waste equipment. The recycling of materials contributes to the conservation of natural resources. Therefore do not dispose of your old electrical and electronic equipment with the unsorted municipal waste.

The product contains a rechargeable battery. Batteries may not be disposed of with the usual domestic waste. They may contain toxic heavy metals and are subject to hazard our waste regulations. For this reason, dispose of used rechargeable batteries at a local collection point.

The outer packaging is made of environmentally friendly materials, which may be disposed through your local recycling facilities. By disposing of the packaging and packaging waste in the proper manner, you help to avoid possible hazards for the environment and public health. The symbol on the outer packaging indicates that the packaging is made of PAP.



11 Privacy Statement

The WITTE Digital WAVE products are secured with SSL certification. Each user has a unique user name and private password associated with their own account. Data will only be shared with the user's explicit permission.



12 Declaration of Conformity And Compliance

Hereby, WITTE Automotive GmbH declares that the WAVE-Box is in compliance with the Directives 2014/30/EU and 2011/65/EU. The full text of the EU declaration of conformity is available at the following internet address: www.witte.digital

The WAVE-Box has an ECE Approval regard to Regulation No. 10 issued by the SNCH (Approval N° EI3*10R00*10R05*14342*00).

Copyright © 2017 by WITTE Automotive

All rights reserved. No part of this publication may be reproduced, distributed, or transmitted in any form or by any means, including photocopying, recording, or other electronic or mechanical methods, without the prior written permission of the publisher. For permission requests, write to the publisher, addressed "Attention: Permissions Coordinator," at the address below.

WITTE Automotive GmbH
Höferstraße 3-15
42551 Velbert
Germany

T 00 800 99 0000 33
contact@witte.digital

www.witte.digital

Manual Version 1.0
Publication date: 23 May 2017

